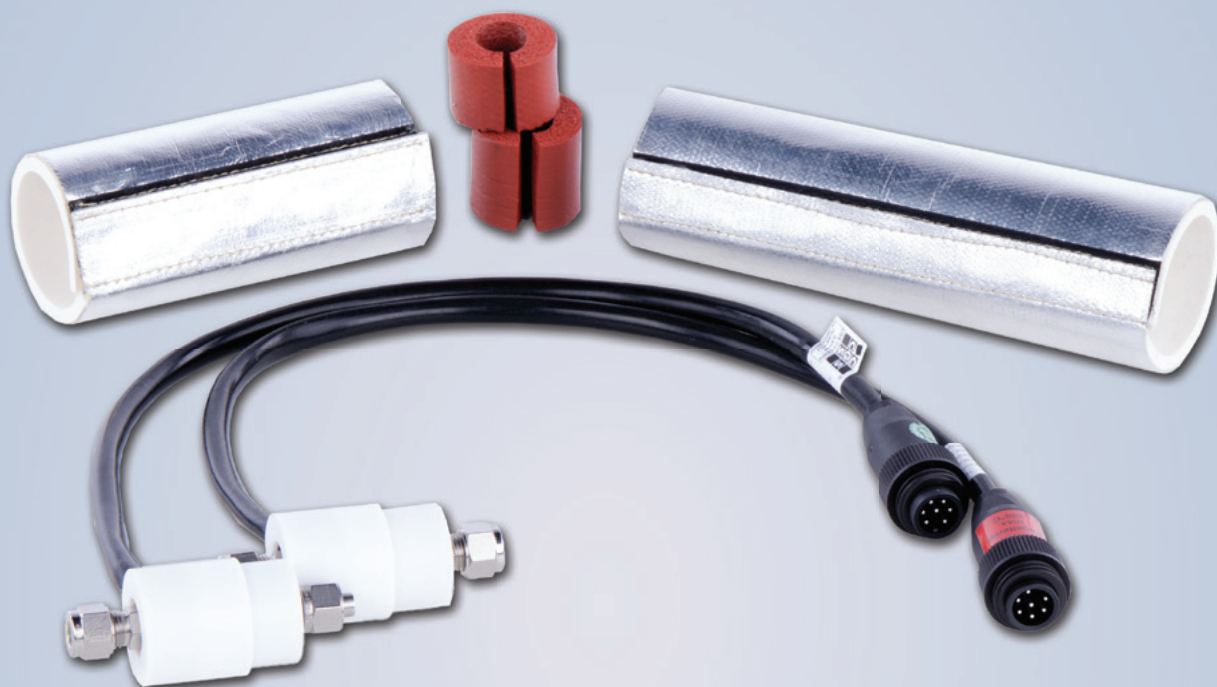


Heated Connector

Type LCH-V, LCH-A



- Universal use
- Fast and easy to retrofit
- Compact design

For the exhaust emission measurement of engines, the controlling authorities strongly focus on continuously heated measuring gas paths, from the extraction to the measuring system. The objective is to prevent drops of temperature at unheated junctions from affecting the exhaust components. Due to the connection principle, the gas connection by tube connectors on the different test stand measuring technology assemblies had unheated gaps. A conversion of all gas conditioning modules in existing assemblies to seamlessly heated connections means high costs for the operator. CGS closes the gap with the heated connector of the LCH series. The easy retrofit on existing modules or as a line connection offers safe and continuous heating eligible for certification, from the extraction to the measuring system. A practical solution by CGS.



Digital form at:
www.cgs-company.de/downloads/MDZ_E_D_LCH.pdf

MDZ_E_D_LCH_1.1

Heated Connector

Type LCH-V, LCH-A



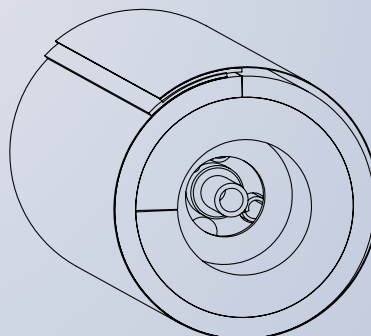
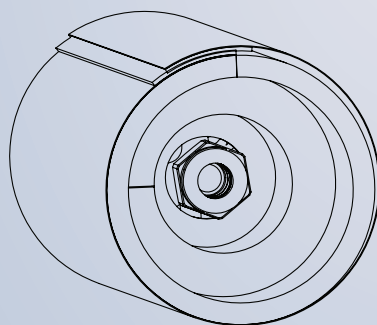
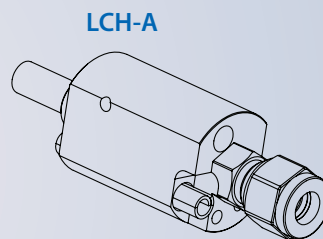
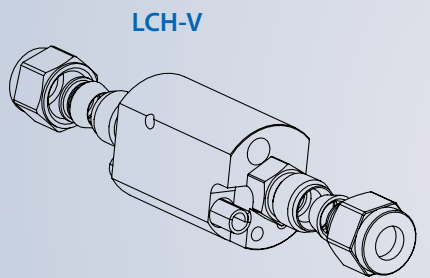
Technical data

- | | | | |
|---------------------------|---|-------------------------------|-----------------------|
| • Operating voltage: | 230 V / 50 Hz | • Plug type (standard): | Amphenol (6-pin + PE) |
| • Heating: | 20 W | | [Type A] |
| • Temperature: | 200°C | • Length of connecting cable: | 0.6 m |
| • Insulation: | Silicone foam | • Control: | external |
| • Sheathing: | Heat protection hose with Velcro | | |
| • Outer diameter: | 65 mm (incl. insulation) | | |
| • Gas connection fitting: | | | |
| LCH-V: | double-sided 8 mm clamping ring | | |
| LCH-A: | 8 mm clamping ring /
8 mm connecting piece | | |
| • Connector housing: | Stainless steel (1.4404) | | |
| • Temperature sensor: | Ni-CrNi [Type K] | | |

Zubehör

- Collection trays
- Heated wall ducts
- Heated analytic line
- Connection cable in various lengths
- Temperature controller

Assembly drawing



Order number

Article

- Heated connector; Type LCH-V 6/8 mm
- Heated connector; Type LCH-A 6/8 mm

Order no.

- 1038615
- 1038616

Accessories

Article

- Temperature controller; Type UNI2000
- Temperature controller; Type UNI2010
- Temperature controller; Type XT-T1

Order no.

- 1015802
- 1015801
- see data sheet XT-T1