

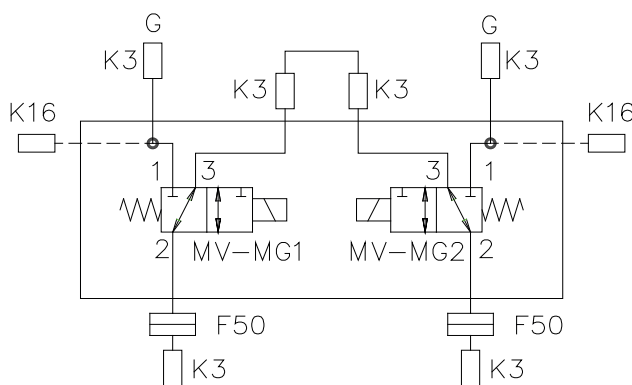


The solenoid valve block EAG made of 1.4305 acts as an on/off switch for gas conditioning elements. With this function a CO₂ absorber could be switch in the sample gas way for a certain length of time. The valves are rapid switching 3/2-way solenoid valves, which have a very long life time – tested over 500 million switching operations. The solenoid valve block EAG is used in applications for zero adjustment of CO₂ analyzer with flowing reference cell or temporarily humidification of P₂O₅ analyzer or zero adjustment of ZrO₂ analyzer.

Options

- Type of valve: standard; for oxygen application; for moisture analysis
- Electrical connection: soldering lug; cable
- Gas connection: double ferrule fittings: 2 mm; 3 mm; 6 mm; 1/16"; 1/8"; 1/4"
hose: 4.3 mm; 6 mm
- Filter: 20 µm; 50 µm

Application example



- G Anschluss Gasaufbereitungselement
connection gas preparation element
- K3 Klemmring 3 mm
clamp ring 3 mm
- K16 Klemmring 1/8"
clamp ring 1/8"
- optional

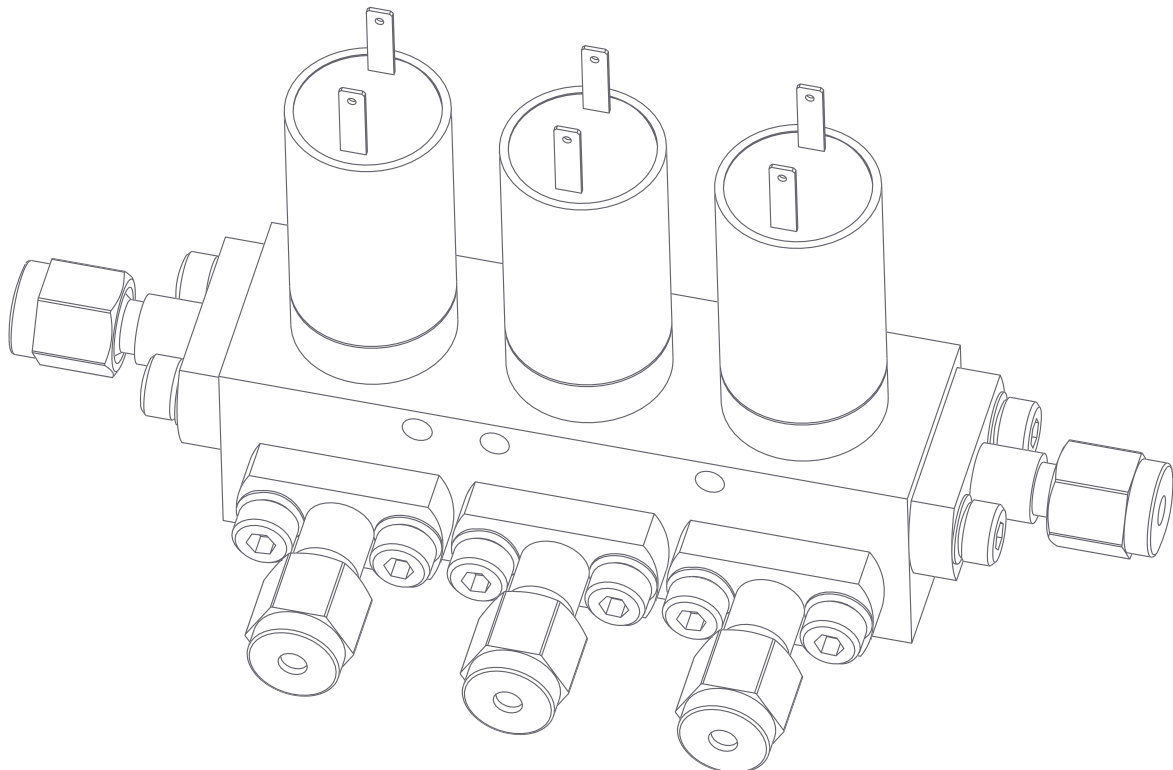
Technical data

Valve:

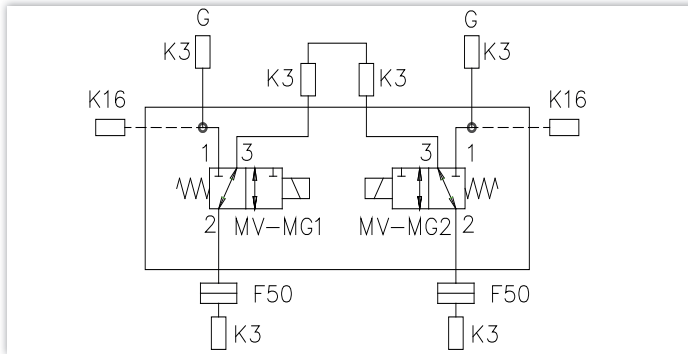
- Type: 2/2 - ways solenoid valve NC
- Voltage: 24 V DC
- Power consumption: 1.5 Watt
- Response time: < 10 ms
- Orifice: 1.25 mm
- Flow coefficient K_v : 0.025 m³/h
- Max. gas pressure: 7.0 bar for NC
- Ambient temperature: -20°C to + 60°C
- Gas temperature: 0°C to 60°C
- Housing: 1.4016
- Seal material: FKM
- Type of protection: IP40
- Electrical connection: soldering lug or cable tail (length 700 mm)
- Materials of wetted parts: 1.4016; FKM
- Special models:
 - for oxygen application
 - for moisture analysis
 - for oxygen application and moisture analysis

Solenoid valve block:

- Material: 1.4305
- Dimensions (W x H x D): with solenoid valves and connections = 100 x 110 x 75 mm
- Weight: with solenoid valves and connections = 0.46 kg



Configuration standard solenoid valve block

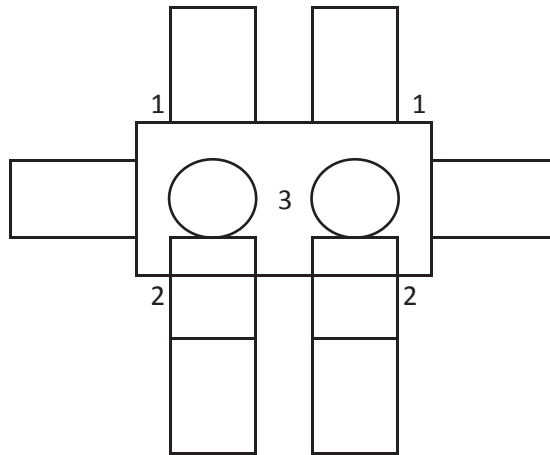


Date:

Company:

Name:

Project:



Remarks:

- B: Blind flange
- K2: Double ferrule fitting 2 mm
- K3: Double ferrule fitting 3 mm
- K6: Double ferrule fitting 6 mm
- K16: Double ferrule fitting 1/16"
- K18: Double ferrule fitting 1/8"
- K14: Double ferrule fitting 1/4"
- R4: Hose 4.3 mm
- R6: Hose 6 mm

- F20: Filter 20 µm
- F50: Filter 50 µm

- BS: Blind screw
- S3: 3/2-ways
- SK3: 3/2-ways with cable

- STD: Standard valve
- H: For moisture analysis
- O: For oxygen application
- Y: For moisture analysis +
For oxygen application

- Adapter board with LED and anti-surge diode
- Anti-surge diode



Fillable form at:
www.cgs-company.de/downloads/MDZ_E_D_MVB-EAG.pdf

Spare parts

Order No.	Article
1026309	Sintered metal frit set (10 pcs.); pore size 50 µm
1026308	Sintered metal frit set (10 pcs.); pore size 20 µm
1026311	O-ring set; flange 24 (10 pcs.); FKM 6.00x2.00 mm
1027879	Flange set; flange 24; 6 mm Tube Fitting
1027882	Flange set; flange 24; 3 mm Tube Fitting
1027885	Flange set; flange 24; 2 mm Tube Fitting
1027881	Flange set; flange 24; 1/4" Tube Fitting
1027883	Flange set; flange 24; 1/8" Tube Fitting
1027886	Flange set; flange 24; 1/16" Tube Fitting
1027898	Flange set; flange 24; Hose 4.3 mm
1027900	Flange set; flange 24; Hose 6 mm
1027902	Blind flange set for flange 24
1010547	Blind screw; instead of screw in solenoid valve
1027694	Solenoid valve; 2-ways; 24 VDC; FKM; with soldering lug
1027695	Solenoid valve; 2-ways; 24 VDC; FKM; with connection cable 700 mm
1024302	Solenoid valve; H2O; 2-ways; 24 VDC; FKM; with soldering lug
1024306	Solenoid valve; H2O; 2-ways; 24 VDC; FKM; with connection cable 700 mm
1030681	Solenoid valve; O2; 2-ways; 24 VDC; FKM; with soldering lug
1030682	Solenoid valve; O2; 2-ways; 24 VDC; FKM; with connection cable 700 mm
1030685	Solenoid valve; O2; 2-ways; 24 VDC; FKM; with soldering lug
1030686	Solenoid valve; O2; 2-ways; 24 VDC; FKM; with connection cable 700 mm
1027696	Solenoid valve; 3/2-ways; 24 VDC; FKM; with soldering lug
1019762	Solenoid valve; 3/2-ways; 24 VDC; with connection cable 300 mm
1024193	Solenoid valve; H2O; 3/2-ways; 24 VDC; with soldering lug
1024308	Solenoid valve; 3/2-ways; 24 VDC; with connection cable 300 mm
1030683	Solenoid valve; O2; 3/2-ways; 24 VDC; FKM; with soldering lug
1030684	Solenoid valve; O2; 3/2-ways; 24 VDC; with connection cable 300 mm
1030687	Solenoid valve; H2O; O2; 3/2-ways; 24 VDC; FKM; with soldering lug
1030688	Solenoid valve; H2O; O2; 3/2-ways; 24 VDC; with connection cable 300 mm
1030849	O-ring set screw in solenoid valve (2*10 pcs.); FKM 14.00x1.78 mm; FKM 6.60x1.50 mm
1017821	Adapter board; LED module; 24 V
1030851	Free-wheeling diode set (10 pcs.) for solenoid valve
1017105	Hook spanner for screw in solenoid valve; DIN 1810
1027187	Socket wrench for screw in solenoid valve
1016639	Check valve